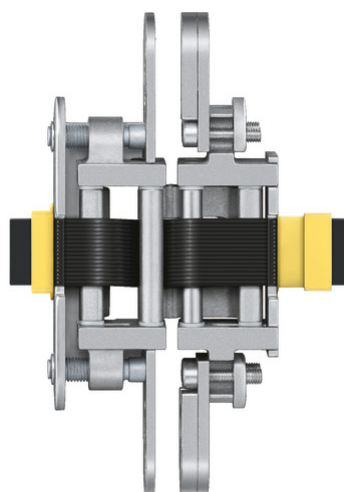


TE 527 3D Energy

made of solid steel with permanent energy transfer for unrebated heavy-duty doors



Product features

- with permanent energy transfer
- individual connection adapter options
- material steel
- completely concealed hinge system
- for timber, steel or aluminium frames
- for unrebated heavy-duty doors
- comfortable 3D adjustment (side +/- 3.0 mm, height +/- 3.0 mm, compression +/- 1.0 mm)
- maintenance-free slide bearings

Technical data

Property	Value
Load capacity	120.0 kg
Overall length	155.0 mm
Width (door part)	26.0 mm
Width (frame part)	26.0 mm
Min. door thickness	34.0 mm
Cutter diameter	24.0 mm
Collar ring diameter	30.0 mm
Opening angle	180°

Quality marks



CE certification



UL certification



certifire Certifire certification

Classification code

EN 1935 / EAD

4	7	6	1 ¹	1	- ²	1	13
---	---	---	----------------	---	----------------	---	----

¹ Test evidence for functional doors to be achieved with full door sets and assemblies.

² depending on the finish

TECTUS - TE 527 3D Energy

Wire cross section	0.14 mm ²
Max. voltage	50 V
No of wires	16
Max. current	0.8 A

Notes

The load capacity mentioned above refers to the use of 2 hinges per door leaf (1 x 2 m), for detailed information please look at the chapter [technical information](#).

Application on steel frames is subject to special frame facings.

When ordering the accessories please consider: There are two connection adapters TECTUS Energy needed per hinge. A connection plan can be downloaded.

With an opening position of 180° the door may have to be fixed additionally.

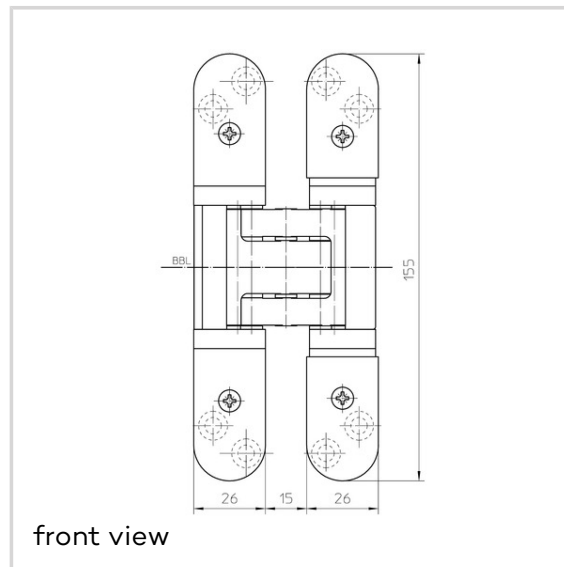
The suitability for fire doors depends on the door construction.

Installation tools

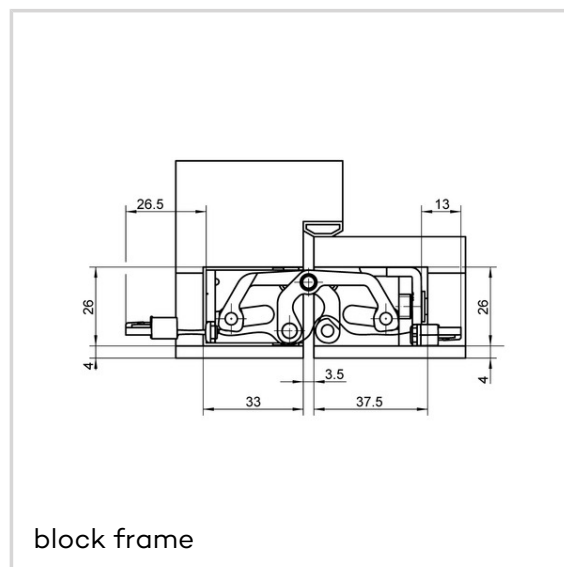
- Universal milling frame
- Template 5 250939 5 additional routing Energy
- Template 5 250547 6 frame / door

Combinations

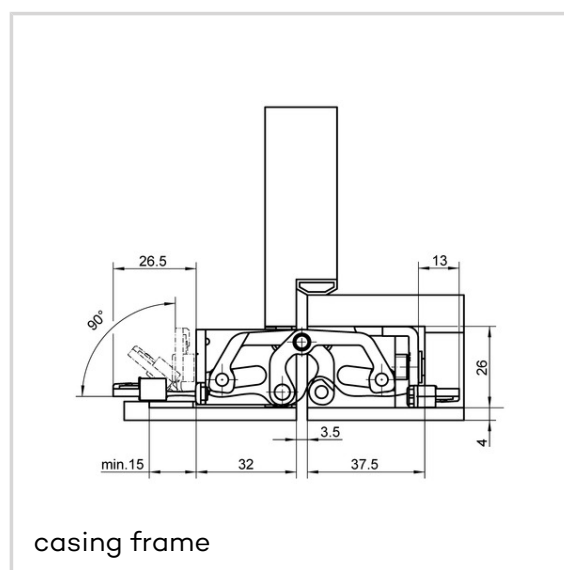
- TE 526/527 3D FZ
- TE 526/527 3D SZ
- TE 526/527 3D ST
- Adapter 1 TECTUS Energy
- Universal adapter TECTUS Energy
- Round cable 3m TECTUS Energy
- Round cable 10m TECTUS Energy
- Adapter set 20 TECTUS Energy
- Adapter set 21 TECTUS Energy



front view



block frame



casing frame

TECTUS - TE 527 3D Energy

Function range



burglar
resistance



fire resistance



smoke
resistance



soundproof

Item versions

Finish	RAL 9005 Matte Black (SW 107)
VPE	pack of 1
DIN	DIN right and left hand
ITEM NO.	5 400666 0 10701
ITEM NO. (SAP)	500003881
EAN	4015471128562

Finish	Stainless Steel Look (SSL) (SW 126)
VPE	pack of 1
DIN	DIN right and left hand
ITEM NO.	5 400666 0 12601
ITEM NO. (SAP)	500003882
EAN	4015471132095

