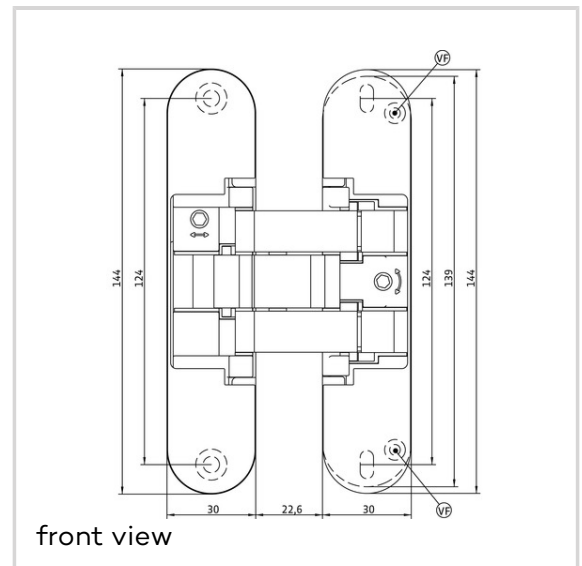


**ANSELMI - AN 161 3D FVZ 14/40****AN 161 3D FVZ 14/40**

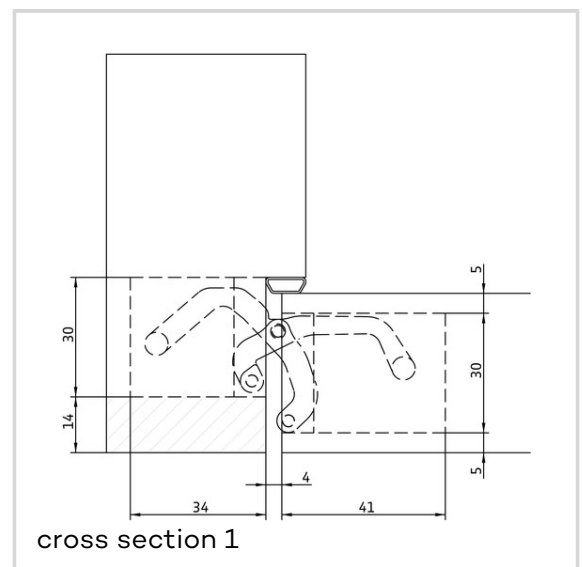
for unrebated 40 mm thick residential doors with 14 mm recessed frame facings up to 60 kg

**Product features**

- FVZ = recessed frames
- recessed frames up to 14 mm
- door thickness 40 mm
- completely concealed hinge system
- for timber and aluminium frames
- for unrebated residential doors
- 3D adjustment (side +/- 1.5 mm, height +/- 2.5 mm, compression +/- 1.0 mm)
- central installation
- material zamak

**Technical data**

Property	Value
Load capacity	60.0 kg
Overall length	144.0 mm
Width (door part)	30.0 mm
Width (frame part)	30.0 mm
Min. door thickness	40.0 mm
Cutter diameter	16.0 mm
Collar ring diameter	27.0 mm



**ANSELMi - AN 161 3D FVZ 14/40**

Opening angle	180°
---------------	------

**Notes**

The load capacity mentioned above refers to the use of 2 hinges per door leaf (900 x 2100 mm).

Suggested screws: Frame side: Countersunk head screws DIN 7505 A, Diameter 5.0 mm Door side: Pan head screws DIN 7505 B, Diameter 4.0 mm

If necessary, it is possible to lock the vertical adjustment of the hinge by means of a fixing screw (VF).

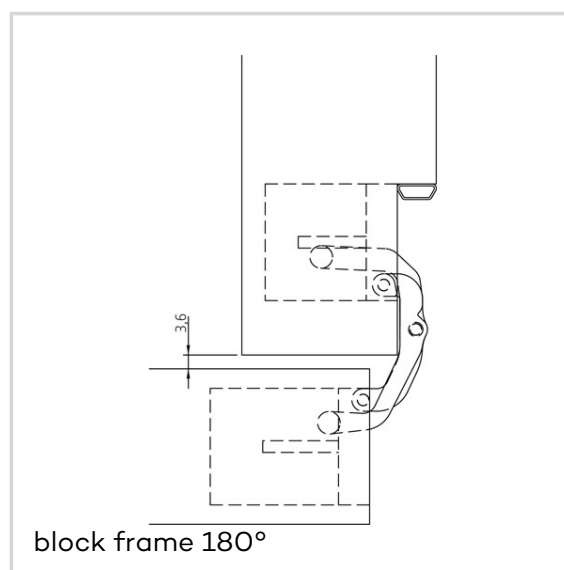
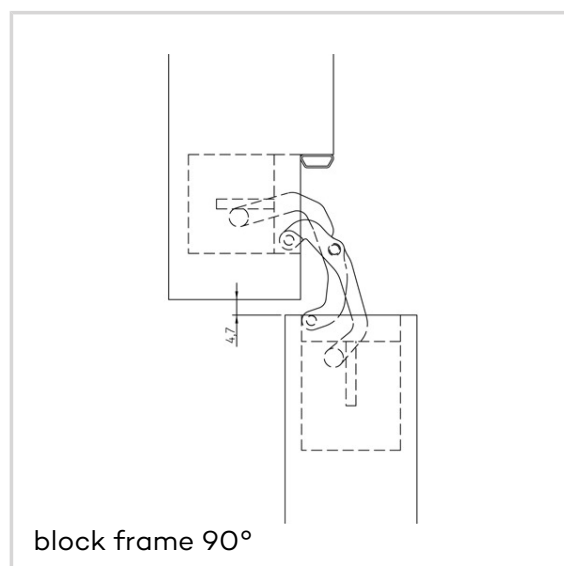
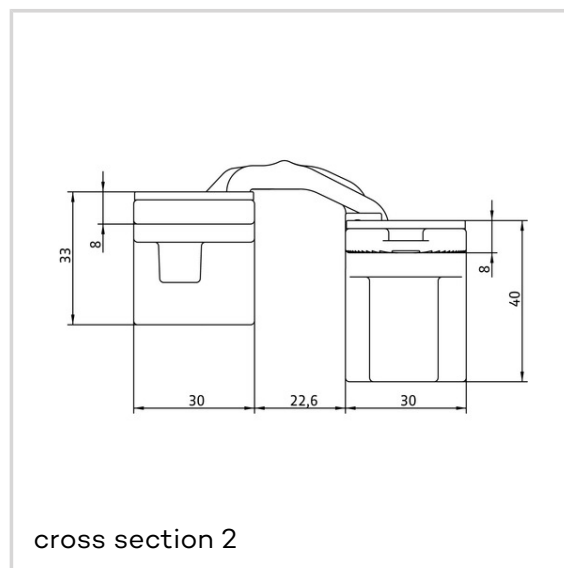
Alternatively, the routing can be carried out with a cutter diameter of 14.0 mm and a collar ring diameter of 25.0 mm.

**Installation tools**

Universal milling frame

**Item versions**

Finish	Satin Chrome (AN 014)
VPE	pack of 2
DIN	DIN right and left hand
ITEM NO.	AN 161 3D FVZ 14/40 (AN 014)
EAN	8054608703902
Finish	Black (AN 018)
VPE	pack of 2
DIN	DIN right and left hand
ITEM NO.	AN 161 3D FVZ 14/40 (AN 018)
EAN	8054608703926
Finish	Antique Bronze (AN 035)
VPE	pack of 2



**ANSELM I - AN 161 3D FVZ 14/40**

DIN ITEM NO.	DIN right and left hand AN 161 3D FVZ 14/40 (AN 035)
EAN	8054608703957
Finish	Aluminium Chrome (AN 036)
VPE	pack of 2
DIN ITEM NO.	DIN right and left hand AN 161 3D FVZ 14/40 (AN 036)
EAN	8054608704008
Finish	Polished Brass (AN 037)
VPE	pack of 2
DIN ITEM NO.	DIN right and left hand AN 161 3D FVZ 14/40 (AN 037)
EAN	8054608703964
Finish	Polished Chrome (AN 039)
VPE	pack of 2
DIN ITEM NO.	DIN right and left hand AN 161 3D FVZ 14/40 (AN 039)
EAN	8054608703971
Finish	Satin Nickel (AN 044)
VPE	pack of 2
DIN ITEM NO.	DIN right and left hand AN 161 3D FVZ 14/40 (AN 044)
EAN	8054608703933
Finish	RAL 9016 Traffic White (AN 049)
VPE	pack of 2
DIN ITEM NO.	DIN right and left hand AN 161 3D FVZ 14/40 (AN 049)
EAN	8054608703940